



Eiger
FILTERS

Instruction Manual

Eiger Under Sink Drinking Water
Filter Chrome with Plastic Head

TABLE OF CONTENTS

1. Precaution -----	1
1-1 Safety Issues-----	1
1-2 Packing List-----	2
2. Eiger Under Sink Water Filter -----	2~4
2-1 Part Name of Water Filter -----	2
2-2 Product Features-----	2-3
2-3 Working Principle-----	3
3. Guide and Maintenance -----	5~6
3-1 Use Guide-----	4
3-2 Filter Installation -----	5
3-3 Maintenance-----	6
4. Product Specifications -----	7

1.PRECAUTION

1-1 Safety Issues

Please note the following brief icons and rules for safe use of this product



Troubleshooting

When the machine fails, please disconnect the water source immediately



Maintenance

Never remove the parts on the machine to avoid leakage or damage



Avoid contact with children

Never have the machine operated by a child



Temperature

Please use the product in a dry place with the water temperature of 4-38°C



Accessories and filters

To maintain the normal operation of the machine, be sure to use accessories and filters supplied by original company



Emergency call

For any help, please call the local sale service center.



Anti-freeze

Never store or expose the product duct in an environment less than 0°C



Avoid direct sunshine

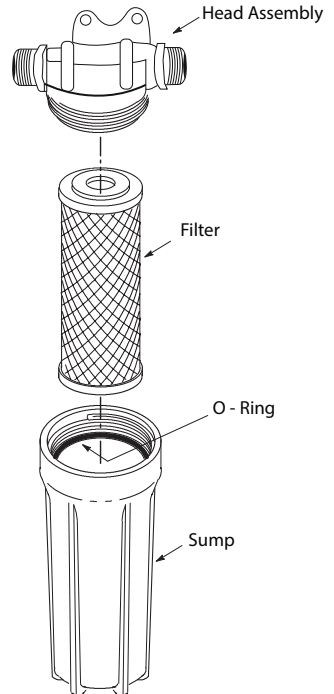
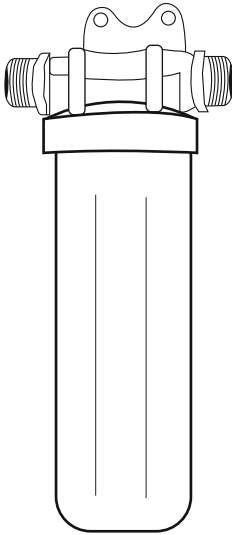
Do not install the machine in a place exposed to direct sunshine

1-2 packing list

Packing box	Eiger Under Sink Water Filter
Materials bag	User's Manual (1copy)
Parts bag	Eiger Under Sink Water Filter 1/2" Brass Ports Bracket and screws

2. Eiger Under Sink Water Filter

2-1 Part Name of Eiger Under Sink Water Filter



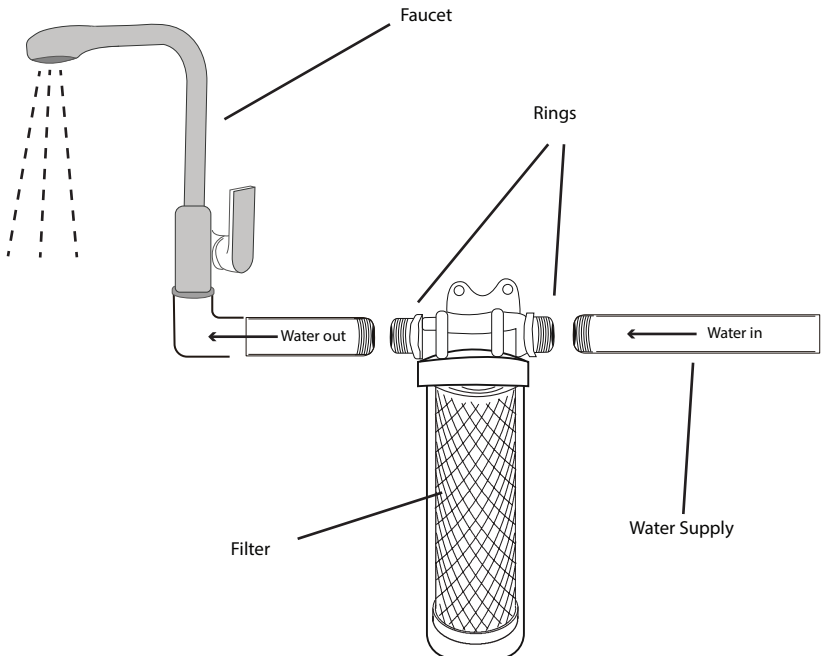
2-2. Product Features

- New Under Sink Blue Water Filter System with Eiger Filter CTO™ Technology is designed to fit most standard faucets with a removable aerator.
- Enjoy water on your faucet with Eiger Filter Technology, reduce/remove a broad range of over 200 contaminants including VOC's, lead, fluoride, heavy metals, pesticides, SVC's, disinfectants, inorganic non-metallics, herbicides, pharmaceuticals, and micro-organisms.

- Single stage design
- Bracket and screws are included
- Premium quality housing
- 1/2" Brass Ports
- Pressure relief button for simplified cartridge replacement
- Includes one Eiger™ filter element
- Enjoy water when you want it
- ABS plastic housing – BPA & BPS free
- No power required
- Easy to replace filter element
- Overall size is 10" x 2.50"

2-3. Working Principle

- **Flowchart of Water Generation**



3. USE GUIDE AND MAINTENANCE

3-1. Use Guide

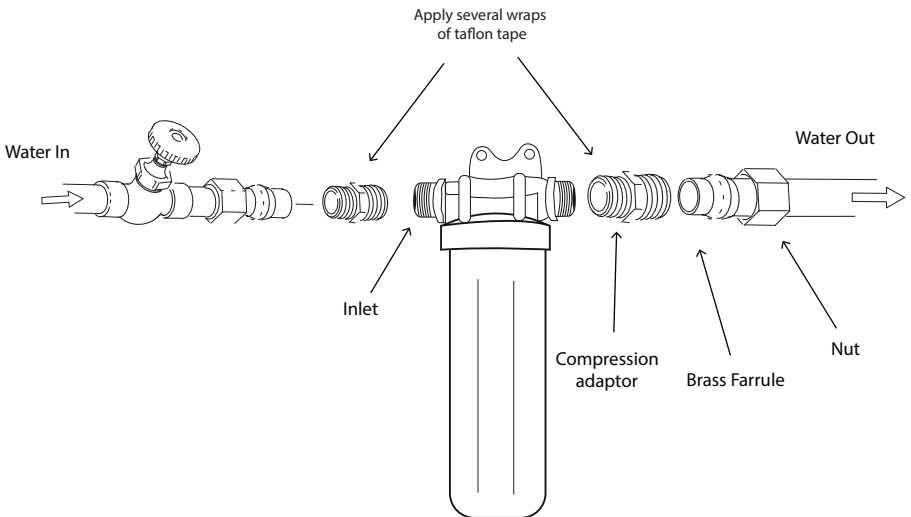
1. Firstly make sure the machine is well installed by the qualified personnel.
2. Make sure water source is open and power supply is connected.
3. Installation of under sink water filter :

Step 1

To install first please make sure that you have all the material and tools needed for the installation.

Materials and tools Needed

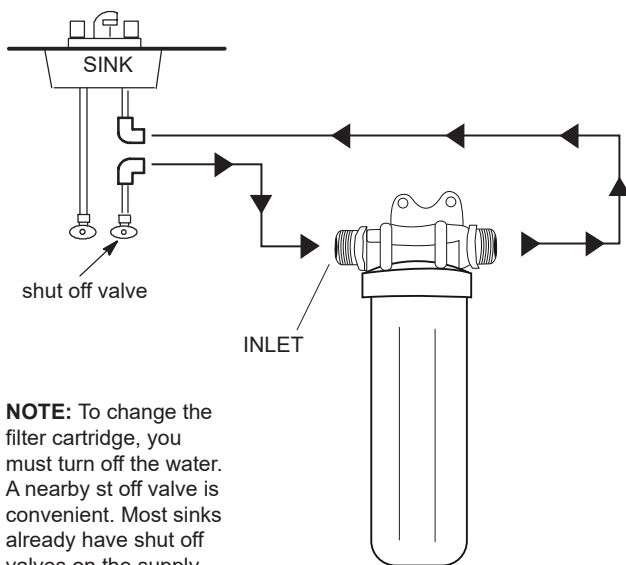
- 2 Compression adaptors, NPT and compression end to fit existing copper pipe.
- Teflon Tape
- Tubing Cutter
- Sandpaper or emery-cloth
- 2 wrenches, either open endd or adjustable jaw, size to fit compression adaptors



Step 2

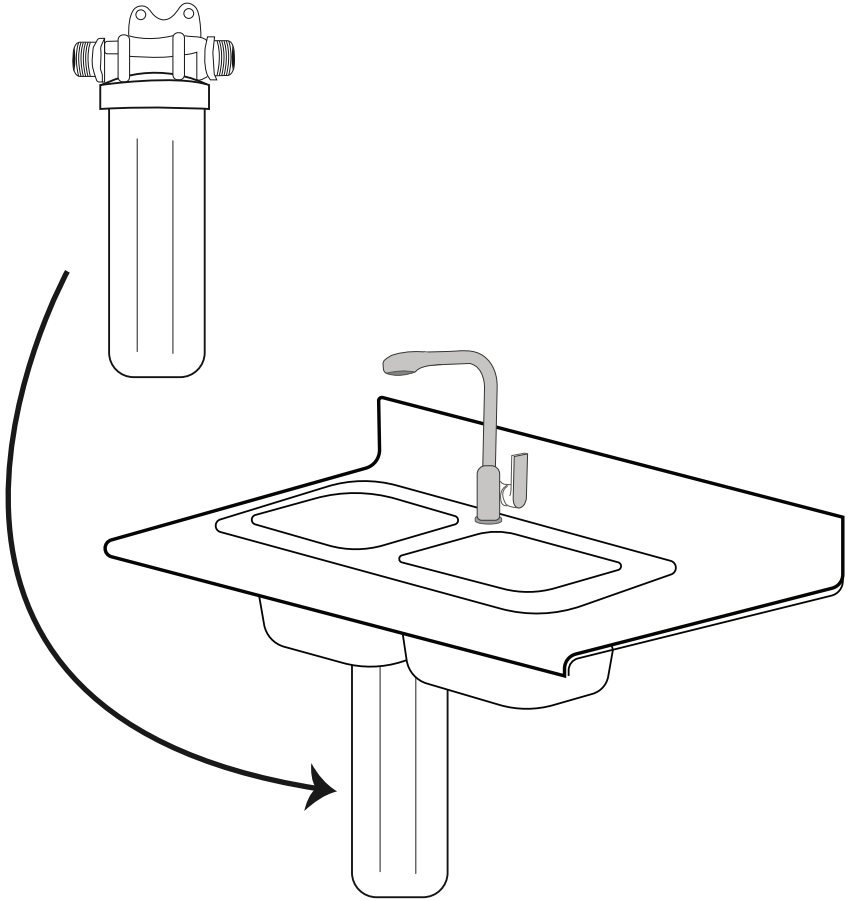
Please follow the following instructions while installing the filter.

1. Close the cold water side shutoff valve. (Usually, there already is a shutoff under the sink. If not, close the main shutoff valve near the water meter or pressure tank.)
2. Cut and remove a section of the water pipe.
3. If plumbing with flexible tubing, hang or support the filter housing in some manner. If using rigid pipe, be sure to allow a minimum of 1 - 1/2" clearance under the filter for sump removal when changing the filter cartridge.
4. Before turning on the water supply, remove the sump from the filter head and install the filter cartridge.



NOTE: To change the filter cartridge, you must turn off the water. A nearby st off valve is convenient. Most sinks already have shut off valves on the supply pipes.

This is how the finishing of the installation looks like.



3-2. Maintenance

1. Replace the filters in time to keep pure water quality.
2. Move the product carefully and slightly, never place the product in a direct sunshine.
3. Never put the product in a place where water may freeze to prevent the filters from damage due to freezing.
4. Never remove the parts on the machine to avoid leakage or damage.
5. By using a cloth dipped in water, clean the Countertop Water Filter with soft detergent rather than strong volatile solvent such as gasoline.
6. In case of long-term no use, Open the faucet to drain out the water in pressure tank when reuse.
7. In the cases where the water purifier is used for the first time or reused after long time idle, drain out the first two tanks of water through the gooseneck faucet at first.
8. Please replace the filters in time as requested. It can ensure better filtration effect.

4. Product Specifications

- Type of installation: Under Sink
- Maximum Working Pressure: 6 Bar
- Minimum Working Pressure: 2 Bar
- Maximum Working Temperature: 38° C (100° F)
- Minimum Working Temperature: 5° C (41° F)
- Filter Life Expectancy: 12 month
- Replacement filter: WF-CTO05-10



Thanks for purchasing from us.

EIGER FILTER LLC, 8 THE GREEN, SUITE A DOVER, 19901

www.eigerfilter.com