



# Instruction Manual

Eiger Countertop Water Filter for  
VOC Cysts Chlorine THMS  
Taste and Odor

## TABLE OF CONTENTS

<b>1. Precaution</b> -----	1
1-1 Safety Issues-----	1
1-2 Packing List-----	2
<b>2. Eiger Countertop Water Filter</b> -----	2~4
2-1 Part Name of Water Purifier-----	2
2-2 Product Features-----	2-3
2-3 Working Principle-----	3
<b>3. Guide and Maintenance</b> -----	5~6
3-1 Use Guide-----	4
3-2 Filter Installation -----	5
3-3 Maintenance-----	6
<b>4. Technical Parameters</b> -----	7

## 1.PRECAUTION

### 1-1 Safety Issues

Please note the following brief icons and rules for safe use of this product



#### Troubleshooting

When the machine fails, please disconnect the water source immediately



#### Maintenance

Never remove the parts on the machine to avoid leakage or damage



#### Avoid contact with children

Never have the machine operated by a child



#### Temperature

Please use the product in a dry place with the water temperature of 4-38°C



#### Accessories and filters

To maintain the normal operation of the machine, be sure to use accessories and filters supplied by original company



#### Emergency call

For any help, please call the local sale service center.



#### Anti-freeze

Never store or expose the product duct in an environment less than 0°C



#### Avoid direct sunshine

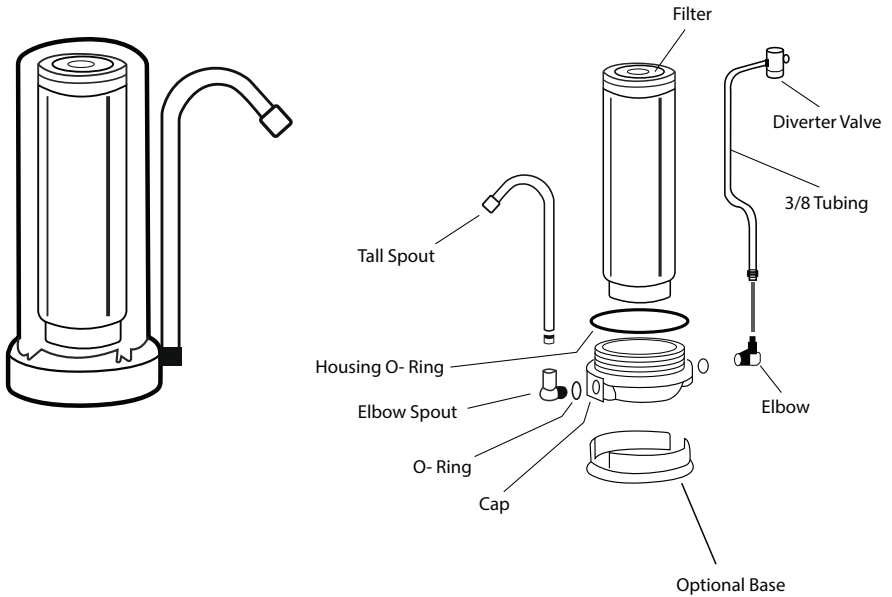
Do not install the machine in a place exposed to direct sunshine

## 1-2 packing list

Packing box	Countertop Water Filter 3/8" PE pipe (1m)
Materials bag	User's Manual (1copy)
Parts bag	Eiger Countertop Water Filter Elbow spout Diverter Valve

## 2. Eiger Countertop Water Filter

### 2-1 Part Name of Eiger Countertop Water Filter



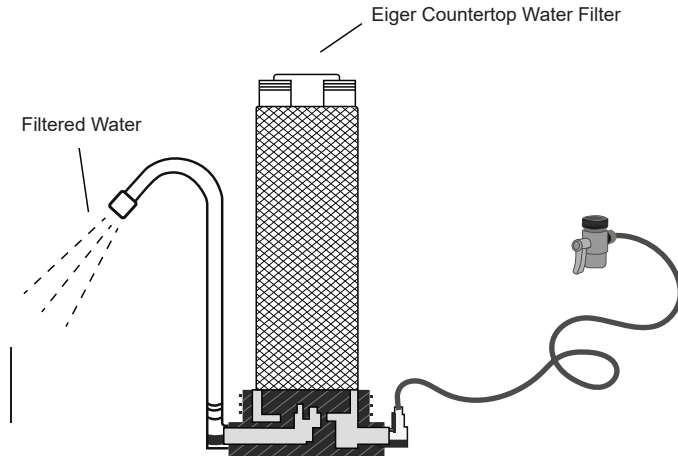
### 2-2. Product Features

- The Countertop Filter is a complete household water filtration system for placing on the kitchen counter.
- It is supplied with water directly from the household tap, through a special adapter that easily adapts to most household kitchen faucets.

- Installation and removal of the filter is very simple, making the Benchtop Filter a portable water filtration solution.
- You can install any 10" filter according to your needs.
- Chrome faucet for extracting the filtered water integrated in the body of the device.
- Ideal for wall kitchen faucets, small households and limited spaces.

## 2-3. Working Principle

- **Flowchart of Water Generation**



### 3. USE GUIDE AND MAINTENANCE

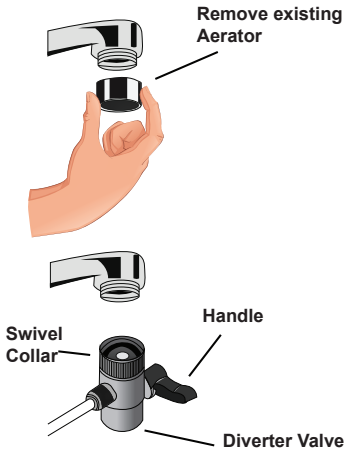
#### 3-1. Use Guide

1. Firstly make sure the machine is well installed by the qualified personnel.
2. Make sure water source is open and power supply is connected.
3. Installation of water Purifier:

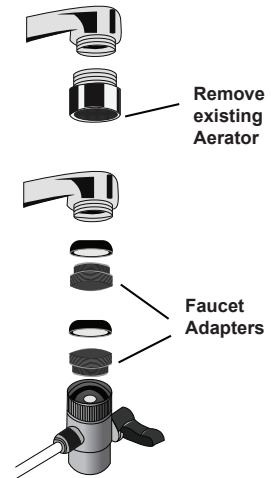
#### Step 1

To install first remove the air aerator from the end of your faucet and install the rotating collar that comes with your unit.

#### Conncting divertor to outside threads on faucet

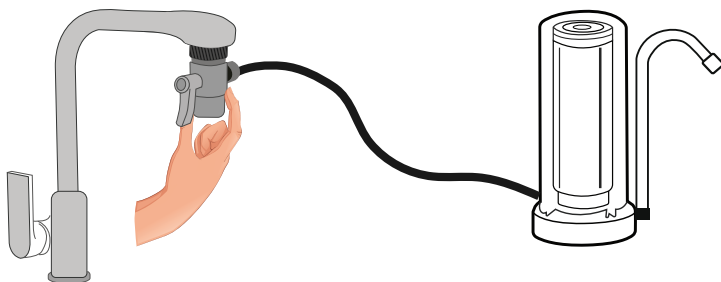


#### Conncting divertor to inside threads on faucet



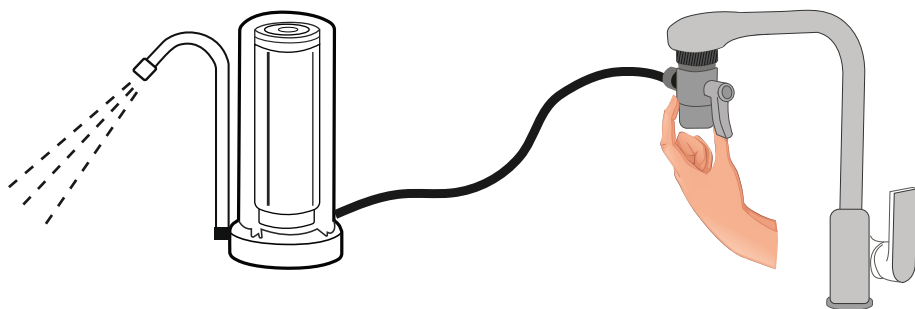
## Step 2

Place the unit in a convenient location turn on your water and pull the knob on the diverter valve.

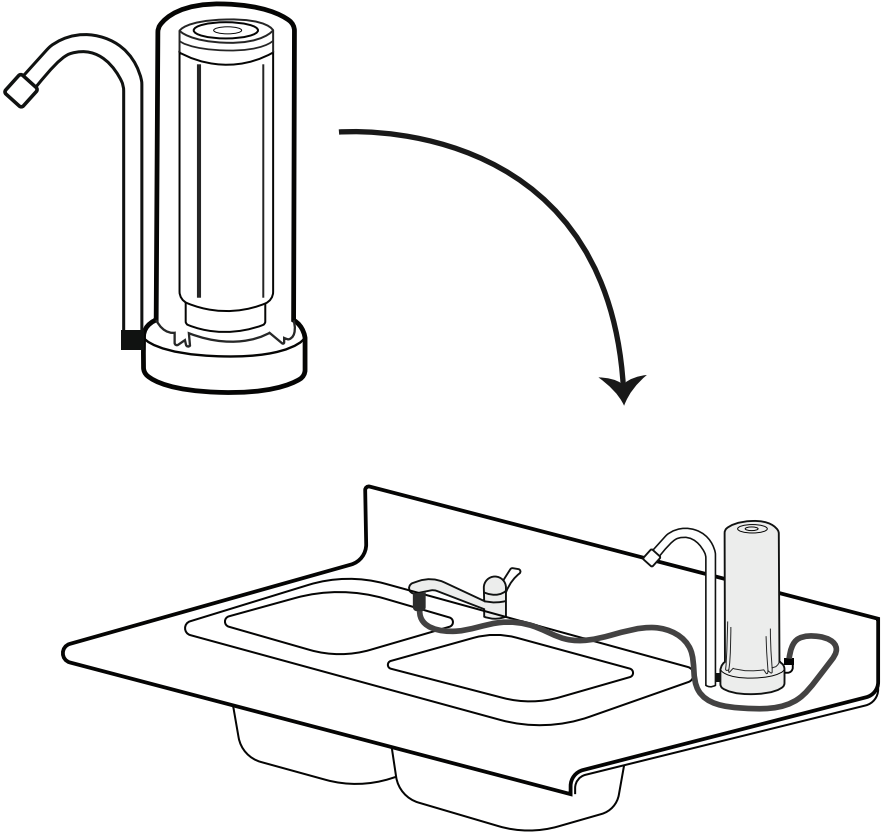


## Step 3

Run the cold water for few minutes to flush out any carbon fines which may be present. This is normal you may also have some bubbles and the water may taste slightly sweet. This is also normal and will clear up after flushing. To stop the flow of water simply turn off your faucet in the diverter valve will automatically turn to its normal position.



**This is how the finishing of the installation looks like.**



### **3-2. Maintenance**

1. Replace the filters in time to keep pure water quality.
2. Move the product carefully and slightly, never place the product in a direct sunshine.
3. Never put the product in a place where water may freeze to prevent the filters from damage due to freezing.
4. Never remove the parts on the machine to avoid leakage or damage.
5. By using a cloth dipped in water, clean the Countertop Water Filter with soft detergent rather than strong volatile solvent such as gasoline.
6. In case of long-term no use, Open the faucet to drain out the water in pressure tank when reuse.
7. In the cases where the water purifier is used for the first time or reused after long time idle, drain out the first two tanks of water through the gooseneck faucet at first.
8. Please replace the filters in time as requested. It can ensure better filtration effect.



#### 4. TECHNICAL PARAMETERS

Brand	Eiger Filter
Color	Transparent
Packing dimensions (L*W*H)	36 x 14.8 x 14.4 cm; 1.67 Kilograms
Material	Stain less steel or plastic or stainless steel with plastic head.
Item Weight	1.67 kg
ASIN	B084X5LC4T



**Thanks for purchasing from us.**

**EIGER FILTER LLC, 8 THE GREEN, SUITE A DOVER, 19901**

**[www.eigerfilter.com](http://www.eigerfilter.com)**